

## Bracket Mount Kit

*for Admiral P3, Commander P2/P2VS and Navigator G2 Heads*

### Installation Brief



The Bracket Mount Kit may be used to mount the Control Head of an Admiral P3 or Commander P2/P2VS Autopilot System, or the Display Head of a Navigator G2 GPS Compass System, on any flat deck, bulkhead, or ceiling.

The Bracket Mount is ideal for installations where it is impractical to surface or flush-mount the Control/Display Head, or where the Head will be removed frequently, from where it is mounted on the vessel, after use.



## Parts required

- Bracket Kit (PN 30110006), consisting of the following parts:

Item	Part Number	Description	Quantity
1	65010002	Lock Washer, M5 size	2
2	65010020	Philips Screw, M5 x 10mm	2
3	65020091	Moulded Washer, 1/4" x 5/8" Nylon	2
4	65040021	Moulded Knob	2
5	65520076	Bracket Ears – Commander P2/P2VS, Admiral P3, Navigator G2	1 ⓘ
6	65520077	Bracket Base – Commander P2/P2VS, Admiral P3, Navigator G2	1

ⓘ The “bracket” is two specially-shaped “ear” pieces (see the photos below).

- Surface Mount Bezel (PN 65610073 for Admiral P2, Commander P2 & Navigator G2 Heads, or PN 65610080 for a Commander P2VS Head). Obtain this part from the Surface Mount Bezel Kit (PN 30110004 for P2/P3/N2 Heads, PN 30110023 for P2VS Heads) which is supplied with the Head.

**Note:** all photos in this document show the grey bezel. The black bezel is identical to the grey, except for colour.

- Admiral P3 Control Head (PN 30110010), Commander P2 (PN 30110007 or 30110008) or P2VS (PN 30110020 or 30110021) Control Head, or Navigator G2 Display Head (PN 30130002 or 30130003).
- Cable Assembly (PN 31110037) for the Admiral P3 or Commander P2/P2VS Control Head, or Cable Assembly (PN 31110048) for the Navigator G2 Display Head.
- Suitable corrosion-resistant fasteners (supplied by customer – 2 required) to mount the bracket base onto the deck, bulkhead, or ceiling.

## Procedure

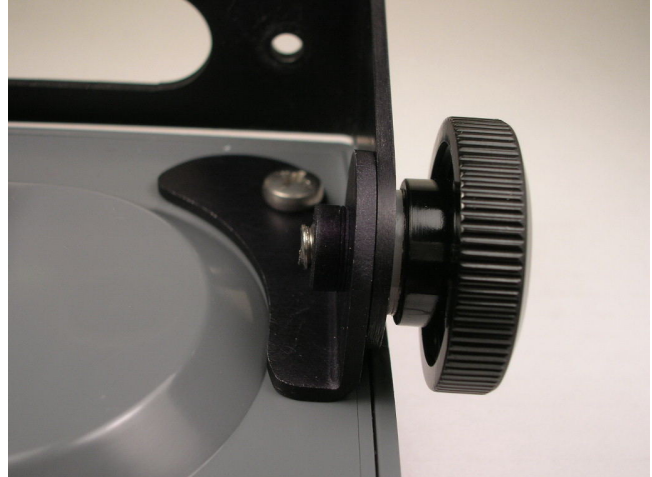
- 1) Install the Surface Mount Bezel on the Head. Slip it over the Head from the front. Press down & inwards on the middle of each side, until it snaps into place.



- 2) Obtain the two M5 x 10mm screws and lockwashers. Apply few drops of Loctite® 242 (or similar medium-strength, slow-cure, removable thread-lock compound) onto the bottom few threads of the screws. Assemble the two Bracket Ears onto the rear of the Head as shown. Secure them temporarily with the screws and lockwashers – tighten the screws far enough so that the ears are snug to the back of the Head, but leave them loose enough that the ears can be rotated during the final alignment in step 4).



- 3) Temporarily attach the Bracket Base to the Bracket Ears using the two Moulded Knobs and Nylon Washers. The washers should be located on the outside of the base's arms, between the arms & the underside of the knobs, as shown in the close-up photo (below right).



- 4) Tighten up the knobs, so that the two ears are pulled into parallel alignment with each other, and are at right angles to the base (with the ears' screws not fully tightened down, they can rotate a few degrees either way). Now tighten down the two screws holding the ears to the Head.
- 5) Position the Head in the intended location. Ensure that there is ample room to remove the bracket's knobs, and that the cable which will be attached, in step 8), to the rear of the Head will have sufficient clearance.
- 6) Mark the location of the Bracket Base on the deck, bulkhead, or ceiling. Remove the base from the ears, then position it back in its mounting location, and mark the location of the holes on the mounting surface. Alternatively, you may find it easier to create a drilling template from the drawing found at the end of this document.

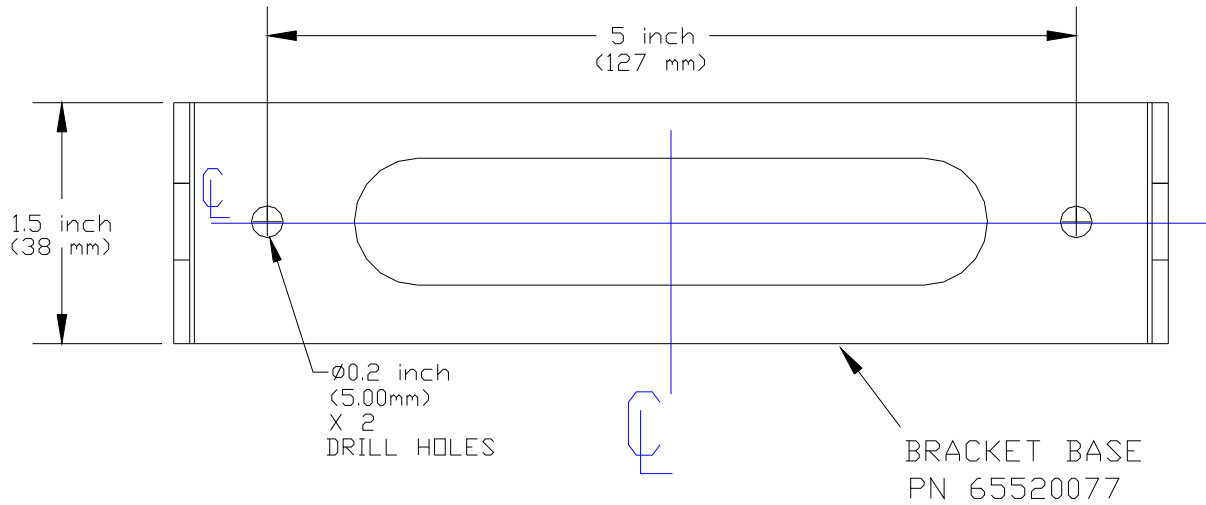


- 7) Drill the holes as required, and secure the Bracket Base to the mounting surface. You must supply suitable fasteners; ComNav recommends that they be corrosion-resistant, and appropriate for the material of the mounting surface.
- 8) Attach the Cable to the receptacle on the rear of the Head. To do so, you must align the plug on the end of the cable with the receptacle, push it on, and then turn the outer ring on the plug clockwise until it locks into place – with a slight snap.
- 9) Mount the Head (with the Bracket Ears) onto the Bracket Base, adjust the tilt angle to suit your requirements, and tighten the Moulded Knobs.



- 10) Route the Cable to the Signal Processing Unit (Admiral P3, Commander P2), or DU-2 Distribution Box (Navigator G2). See your Installation and Operation Manual for wiring details.

BRACKET MOUNT TEMPLATE DRAWING (not to scale)  
for ADMIRAL P3 or COMMANDER P2/P2VS CONTROL HEADS  
or NAVIGATOR G2 DISPLAY HEADS



*VIEW FROM RIGHT SIDE*

